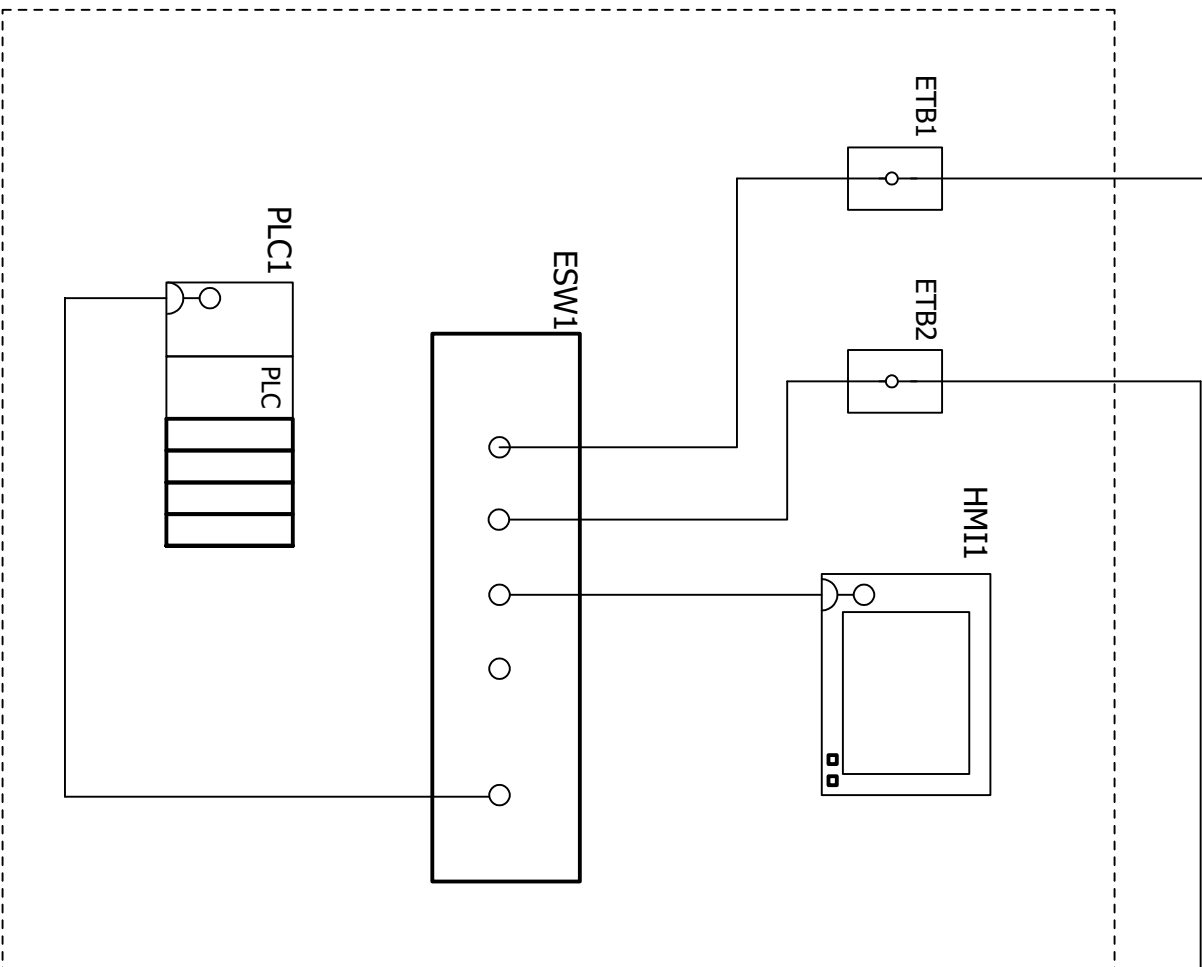


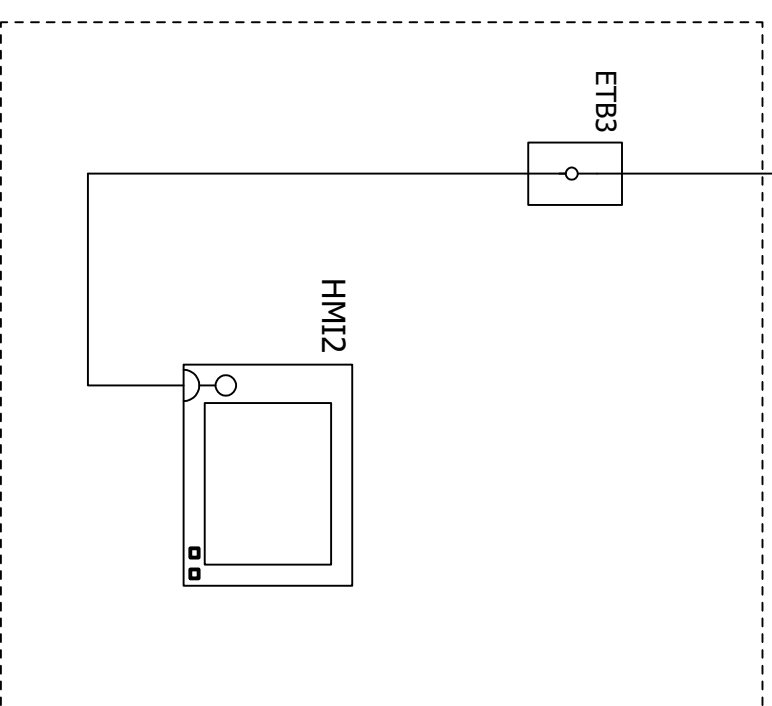
D&W
Network

LAN

MCP



LCP



PLC1

IP: 10.1.9.202
GATEWAY: 10.1.9.1
PLC Password: blowerplc

HMI1

IP: 10.1.9.200
GATEWAY: 10.1.9.1

HMI2

IP: 10.1.9.201
GATEWAY: 10.1.9.1



Customer:

Blower-Shop

SYM

Revision

Date

SYM

Revision

Date

Project Number:
X

Location:
N/A

Drawn by:
PVC

Checked by:
X

Project name:
X

Page:

A1

Drawing Number:

X

Date:
3/16/21

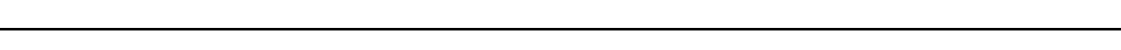
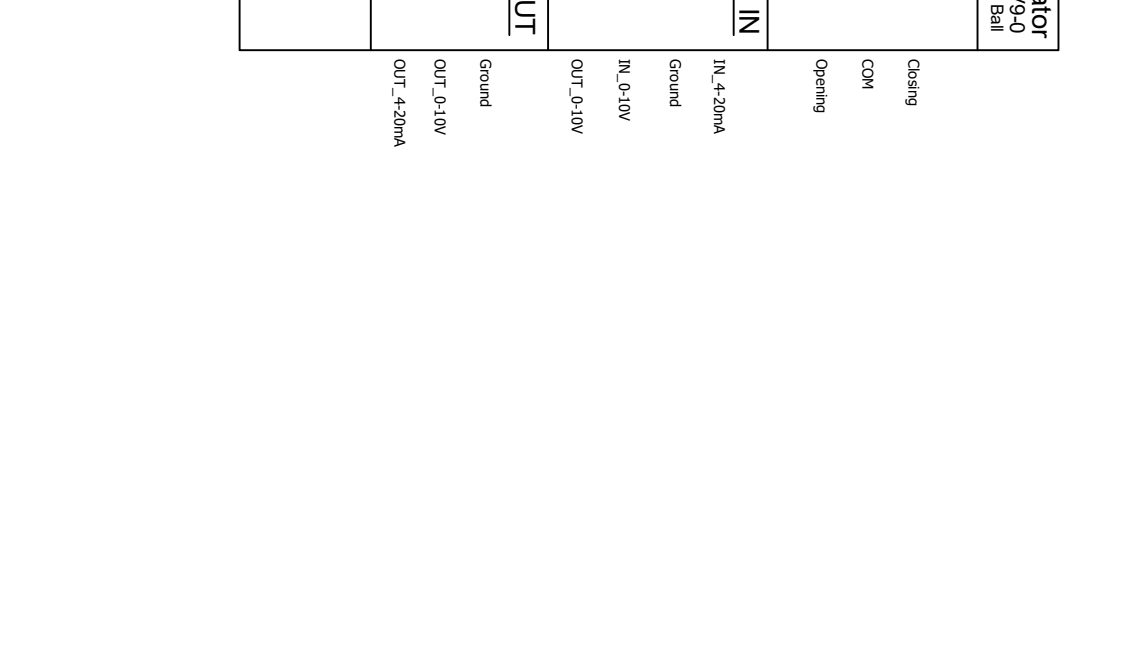
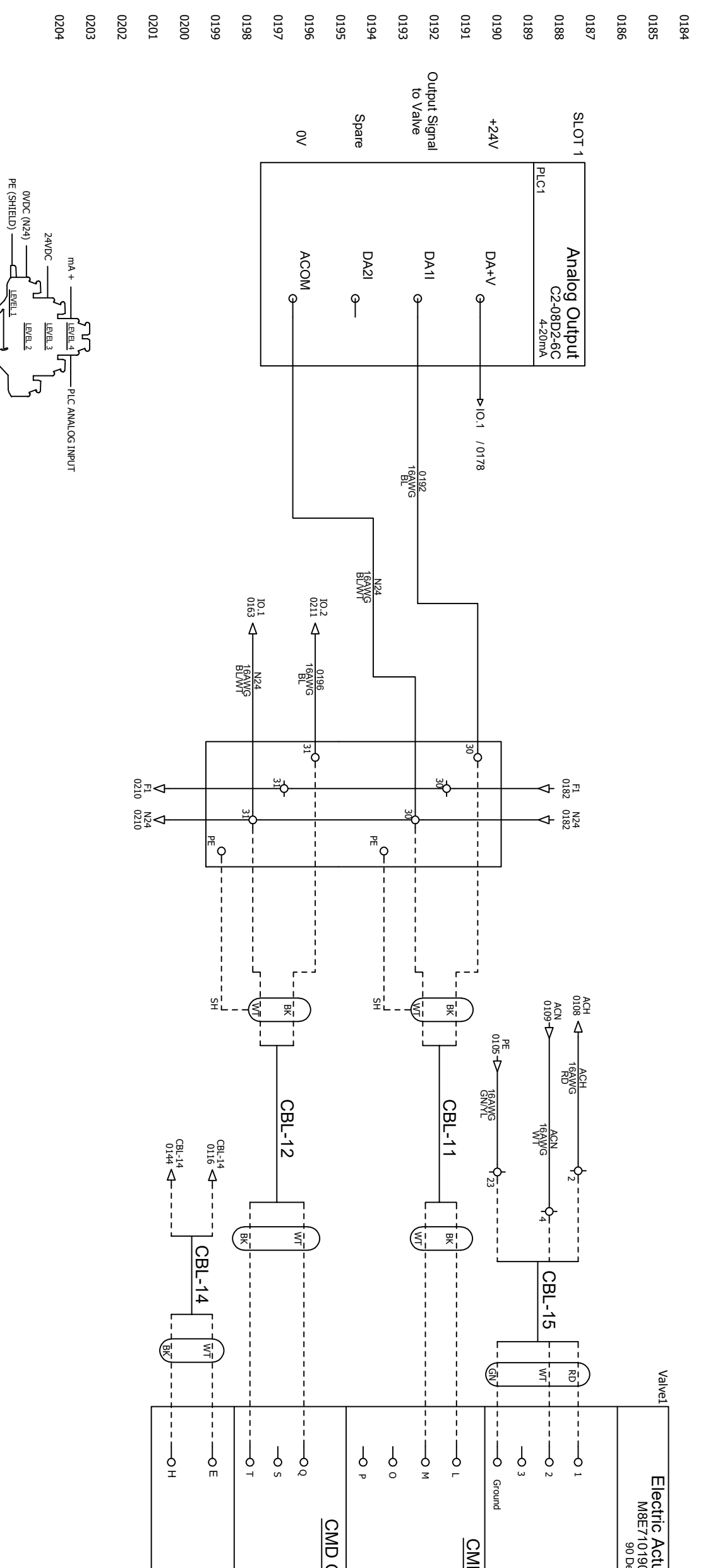
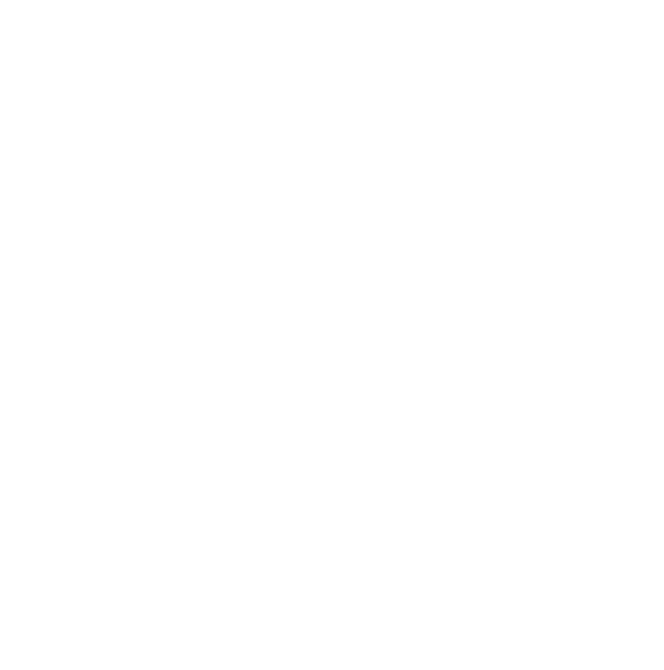
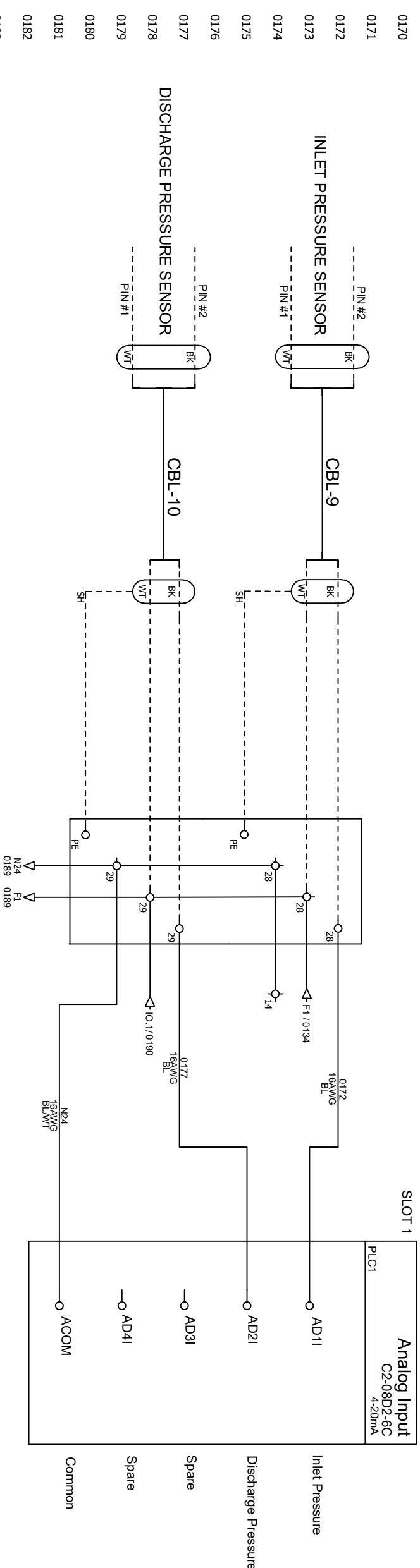
Drawn by:
PVC

Checked by:
X

Project name:
X

Page:

A1

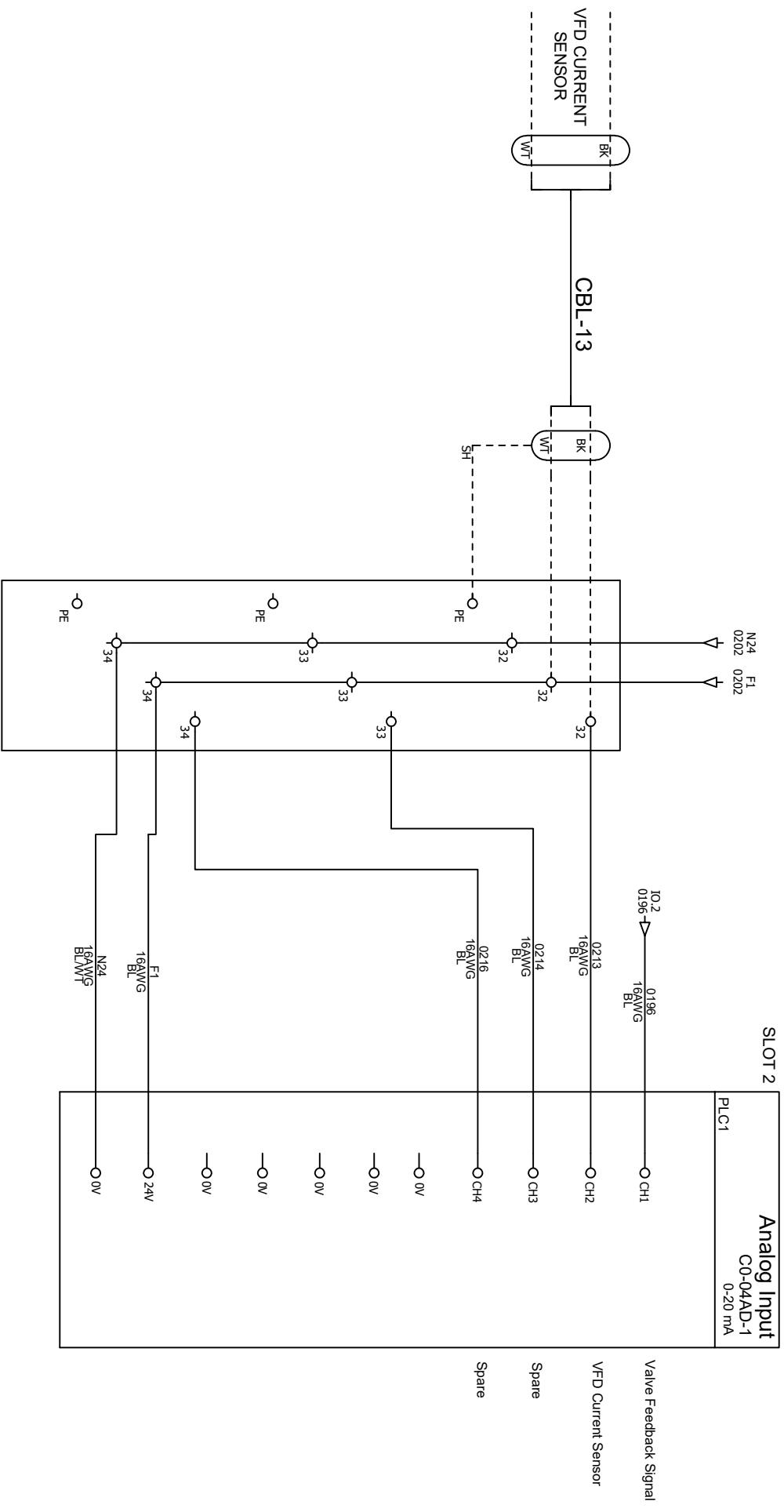


TERMINAL BLOCK DETAIL: TS1/22-27

| | | | | | | | | | | |
|-------------|-----|----------|------|-----|----------|------|-----------------|------------------|---------------|-------------------|
| Customer: | SVM | Revision | Date | SVM | Revision | Date | Project Number: | Location: | Project name: | Page: |
| Blower Shop | | | | | | | X | Blower Test Room | X | 2 |
| | | | | | | | Date: 3/16/21 | Drawn by: PVC | Checked by: X | Drawing Number: X |



0205
0206
0207
0208
0209
0210
0211
0212
0213
0214
0215
0216
0217
0218
0219
0220
0221
0222
0223
0224
0225
0226
0227
0228
0229
0230
0231
0232
0233
0234
0235
0236
0237
0238
0239



0240
0241
0242
0243
0244
0245
0246
0247
0248
0249
0250
0251
0252
0253
0254
0255
0256
0257
0258
0259
0260
0261
0262
0263
0264
0265
0266
0267
0268
0269
0270
0271
0272
0273
0274



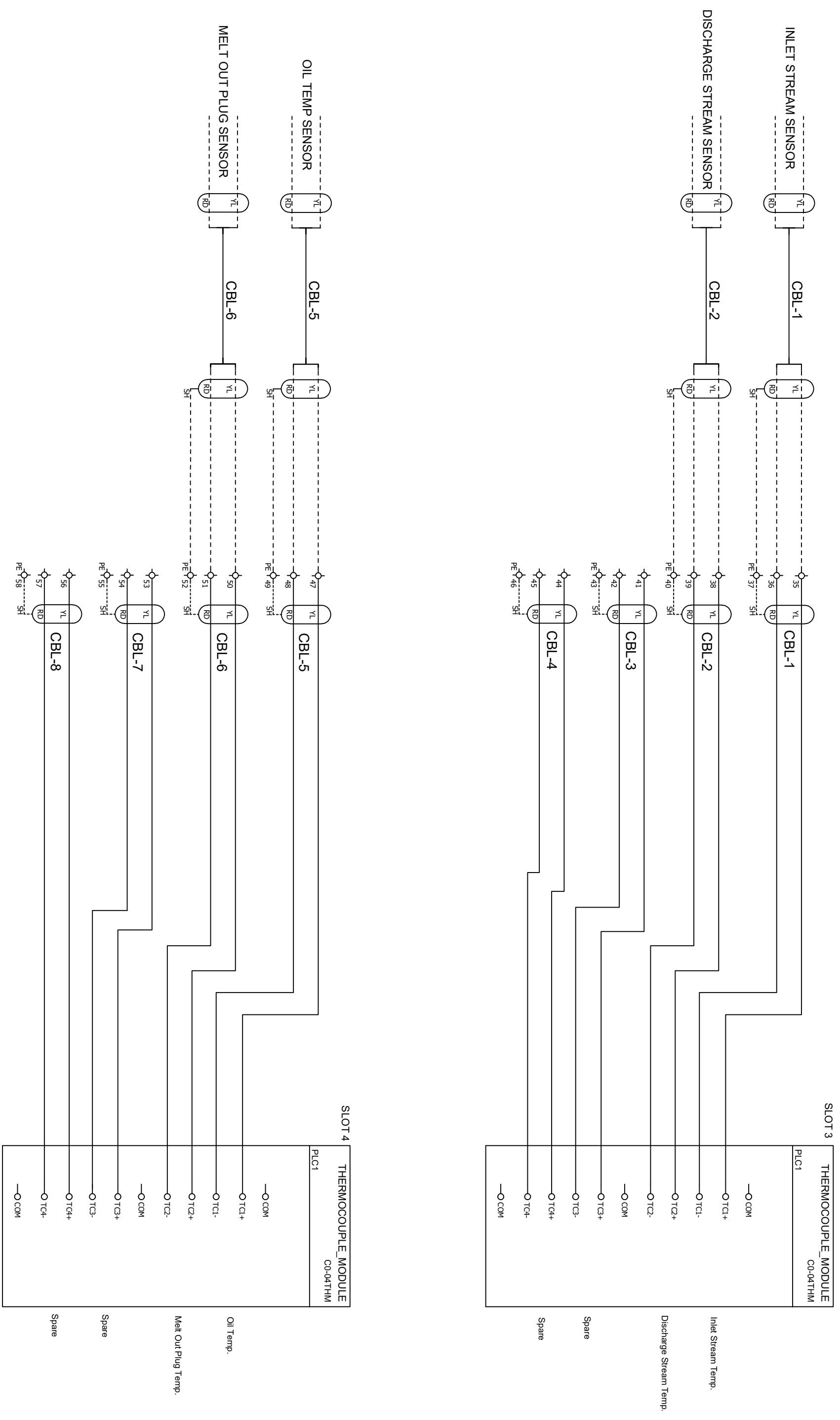
Customer:
Blower Shop

| SYM | Revision | Date | SYM | Revision | Date |
|-----|----------|------|-----|----------|------|
| | | | | | |
| | | | | | |

Project Number: X
Date: 3/16/21

Location: **Blower Test Room**
Drawn by: PVC
Checked by: X

Project name: X
Page: 3
Drawing Number: X



0275

0276

0277

0278

0279

0280

0281

0282

0283

0284

0285

0286

0287

0288

0289

0290

0291

0292

0293

0294

0295

0296

0297

0298

0299

0300

0301

0302

0303

0304

0305

0306

0307

0308

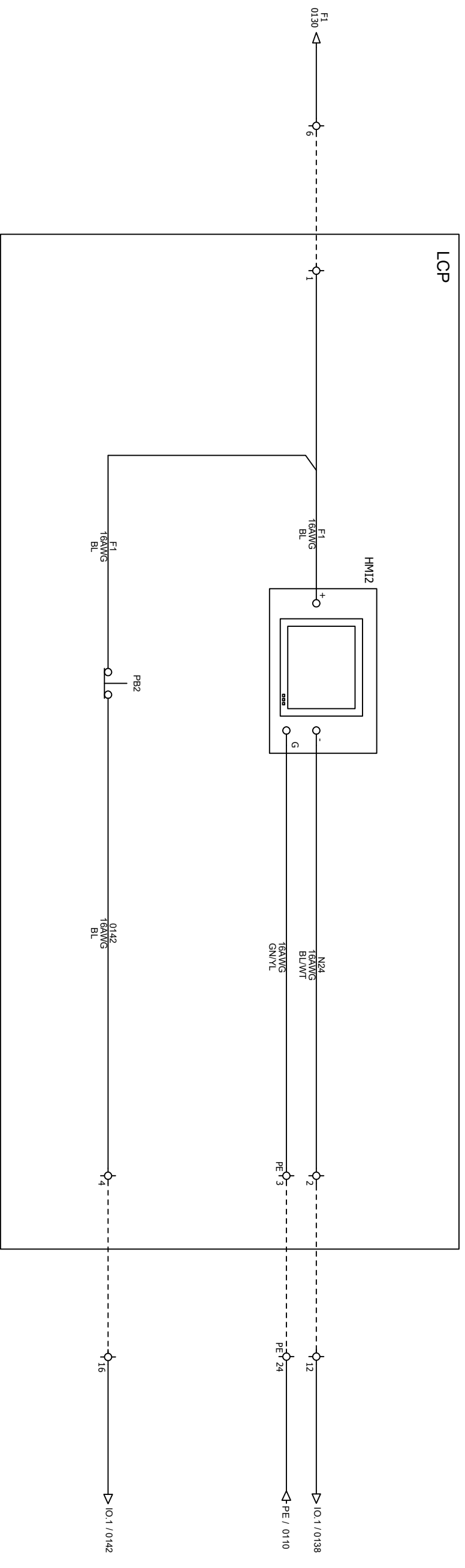
0309

YELLOW +
RED -



| | | |
|-----------------|-------------|---------------|
| Customer: | Blower Shop | |
| SYM | Revision | Date |
| SYM | Revision | Date |
| Project Number: | X | Location: |
| Date: | 3/16/21 | Drawn by: |
| | | PVC |
| Checked by: | X | Project name: |
| | | X |
| Page: | 4 | |
| Drawing Number: | X | |

0310
0311
0312
0313
0314
0315
0316
0317
0318
0319
0320
0321
0322
0323
0324
0325
0326
0327
0328
0329
0330
0331
0332
0333
0334
0335
0336
0337
0338
0339
0340
0341
0342
0343
0344



Customer:
Blower Shop

| SYM | Revision | Date | SYM | Revision | Date |
|-----|----------|------|-----|----------|------|
| | | | | | |
| | | | | | |
| | | | | | |

Project Number:
X
Date:
3/16/21
Location:
Blower Test Room
Drawn by:
PVC
Checked by:
X

Project name:
X